



# Temporary Power Solutions

Mission critical power when and where you need it.

**COOPER** Wiring Devices



# Arrow Hart® Temporary Power Solutions

## Temporary power you can depend on

Arrow Hart's line-up of heavy-duty temporary power equipment is built tough to deliver safe, reliable temporary power for the most demanding industrial and commercial applications.

### Table of Contents

Temporary Power Overview.....	2
RhinoBox™.....	3
Portable Outlet Boxes.....	7
Portable GFCIs.....	10



On the jobsite, it's important to stay connected...safely. Arrow Hart's full line of dependable and durable temporary power products meet those needs, without unnecessary power interruptions to slow down work in the field.



RhinoBox temporary power centers provide "plug & power" capability, multiple configuration options, and a variety of cord sets and adapters.



Portable Outlet Boxes provide a quality bridge between power distribution points and are especially useful for pendant station drops and stringer sets.



Portable GFCIs give the assurance that comes from knowing you're protected from ground fault hazards – indoors and outdoors.

**Get the power you need on the job**

**RhinoBox™**

“Plug & power” temporary power centers provide reliable power for construction sites, renovation, demolition, sporting events, entertainment venues, filmmaking, carnivals and more. Plug into the power of RhinoBox™ for all your temporary power needs.

RhinoBox™ heavy-duty temporary power centers are designed to deliver safe and reliable temporary power in industrial and commercial jobsite conditions.

**1** Tool-less and hinged clear polycarbonate door over circuit breaker panel provides wet location circuit protection.

**2** Stacking the units is easy with the interlocking legs.

**3** Powder coated enclosures are weather resistant and high visibility OSHA Safety Red.

**4** Clearly marked safety and testing instructions are easy to read.

**5** Flip covers on NEMA 3R models provide maximum weather resistance.

**6** Ground fault circuit interrupters protect against ground faults.

**7** Available for locking and straight blade applications, ratings are clearly marked on devices for easy identification.

**8** Sturdy heavy-duty steel legs are reinforced to withstand abuse and provide long lasting performance.

**9** WR duplex receptacles provide more options for multi-use applications in outdoor environments.

**10** Available in NEMA 1 and NEMA 3R models.

**ETL** US

**Accessories**

A variety of 50A cord sets and adapters provide maximum flexibility when configuring power needs.



**Pro-Grip™ 50A Cord Sets**

# Temporary Power Centers

Project Name:	Prepared By:
Project Number:	Date:
Catalog Number:	Type:



## Temporary Power Centers with GFCI Protection

50A  
120/240 VAC



RB300M

### Temporary Power Centers

#### FEATURES

- Safely centralize and distribute or hub and spoke temporary power.
- Unique patented “stackable” design allows multiple RhinoBox units to lock together for safe transport and storage.
- Available in NEMA 3R Rainproof and NEMA 1 enclosures.
- Weatherproof receptacle covers and flip-up circuit breaker cover prevent nuisance tripping and protect from damage and weather.

#### RhinoBox™ NEMA 3R



A	VAC	Distribution Devices	Receptacle Ratings	Receptacle Compon.	Protection Overload	GFCI	Catalog No.
50	120/240 (Max.)	(6) WR Duplex Receptacles	20A, 125V	WRBR20BK	✓	✓	<input type="checkbox"/> RB300M
		(1) Locking Receptacle	30A, 250V	L630R	✓	-	
		(1) Locking Inlet	50A, 125/250V	CS6375RB	-	-	
		(1) Locking Outlet	50A, 125/250V	CS6369RB	-	-	
50	120/240 (Max.)	(6) Single Receptacles	20A, 125V	1877BK	✓	✓	<input type="checkbox"/> RB301M
		(1) Locking Receptacle	30A, 250V	L630R	✓	-	
		(1) Locking Inlet	50A, 125/250V	CS6375RB	-	-	
		(1) Locking Outlet	50A, 125/250V	CS6369RB	-	-	
50	120/240 (Max.)	(6) Locking Receptacles	20A, 125V	L520R	✓	✓	<input type="checkbox"/> RB302M
		(1) Locking Receptacle	30A, 250V	L630R	✓	-	
		(1) Locking Inlet	50A, 125/250V	CS6375RB	-	-	
		(1) Locking Outlet	50A, 125/250V	CS6369RB	-	-	
50	120/240 (Max.)	(3) Single Receptacles	20A, 125V	1877BK	✓	✓	<input type="checkbox"/> RB303M
		(3) Locking Receptacles	20A, 125V	L520R	✓	-	
		(1) Locking Receptacle	30A, 250V	L630R	✓	-	
		(1) Locking Inlet	50A, 125/250V	CS6375RB	-	-	
		(1) Locking Outlet	50A, 125/250V	CS6369RB	-	-	
50	120/240 (Max.)	(7) WR Duplex Receptacles	20A, 125V	WRBR20BK	✓	✓	<input type="checkbox"/> RB3001M
		(1) Locking Inlet	50A, 125/250V	CS6375RB	-	-	
		(1) Locking Outlet	50A, 125/250V	CS6369RB	-	-	
50	120/240 (Max.)	(7) Locking Receptacles	20A, 125V	L520R	✓	✓	<input type="checkbox"/> RB3021M
		(1) Locking Inlet	50A, 125/250V	CS6375RB	-	-	
		(1) Locking Outlet	50A, 125/250V	CS6369RB	-	-	

Automatic GFCI reset configurations are available. When ordering automatic RhinoBox replace “M” in Catalog No. with “A”. Example: RB300A = Automatic; RB300M = Manual.

NEMA 1 configurations are available. Replace “3” in Catalog No. with “2” for NEMA 1 enclosure. Example: RB300M = NEMA3R; RB200A = NEMA1.

#### TESTING & CODE COMPLIANCE

- cETLus listed for outdoor use - NEMA 3R products.
- cETLus listed for indoor use - NEMA 1 products.
- Complies with NEC Articles 525 & 590 & OSHA Reg. 29CFR, Part 1926, Subpart K, 1926.404, GFCI requirements.
- Conforms to UL 1640 and CSA C22.2, No. 14

#### MATERIAL CHARACTERISTICS

- Enclosure: Cold rolled 18 gauge steel.
- Legs: cold rolled 10 gauge steel.

# Temporary Power Centers

Project Name:	Prepared By:
Project Number:	Date:
Catalog Number:	Type:



## Temporary Power Accessories

50A, 125/250 VAC

### Accessories










#### FEATURES

- Tough nylon housing resists impact in heavy-duty industrial environments.
- Insulated body on cord sets for extra measure of safety.
- Powerful cord-gripping capability helps eliminate conductor cord grip slip and strain on terminals.



PC50A

#### Cord Sets & Adapters

Rating A	VAC	Cord Length	Description	Plug (Male)	Connector (Female)	Catalog No.
50A	125/250	50 ft.	Non-NEMA 6/4 (6/3 & 8/1) Flexible Black Extension Cord	 CS6365EX	 CS6364EX	<input type="checkbox"/> PC50A
50A	125/250	100 ft.	Non-NEMA 6/4 (6/3 & 8/1) Flexible Black Extension Cord	 CS6365EX	 CS6364EX	<input type="checkbox"/> PC50B
50A	125/250	4 ft.	Non-NEMA 6/4 (6/3 & 8/1) Flexible Black Blank/Bare Wire Connector		 CS6364EX	<input type="checkbox"/> PA50-6
50A	125/250	4 ft.	NEMA 14-30P to 50A NON-NEMA Adapter	 5732AN	 CS6364EX	<input type="checkbox"/> A304WCSF
50A	125/250	4 ft.	NEMA 14-50P to 50A NON-NEMA Adapter	 5752AN	 CS6364EX	<input type="checkbox"/> A504WCSF

#### RhinoBox™ Replacement Devices

Description	Catalog No.
GFCI (Manual Reset)	<input type="checkbox"/> 20GFMODM
GFCI (Automatic Reset)	<input type="checkbox"/> 20GFMODA
50A Inlet without flip lid (for RB200 models)	<input type="checkbox"/> CS6375RB
50A Inlet with flip lid (for RB300 models)	<input type="checkbox"/> CS6376RB
50A Outlet	<input type="checkbox"/> CS6369RB
50A Outlet Flip Cover	<input type="checkbox"/> 7788BK
30A Locking Receptacle	<input type="checkbox"/> L630R
30A Locking Receptacle Flip Cover	<input type="checkbox"/> WP2
20A Locking Receptacle	<input type="checkbox"/> L520R
20A Locking Receptacle Flip Cover	<input type="checkbox"/> WP2BK
20A Single Straight Blade Receptacle	<input type="checkbox"/> 1877BK

#### TESTING & CODE COMPLIANCE

- Pro-Grip Plug & Connector listed to UL 498, file no. E3663.
- Cord listed to UL 62.
- cUL Certified to CSA 22.2 no. 42.
- ANSI/UL 489-2006.
- NOM certified.

#### MATERIAL CHARACTERISTICS

- Pro-Grip Cord Sets:
- Outer shell: impact modified nylon
  - Interior body: glass-filled nylon
  - Terminal clamps & screws: brass alloy, zinc-plated
  - Gasket: neoprene rubber

# Temporary Power Center Specification & Performance Data

Project Name:	Prepared By:
Project Number:	Date:
Catalog Number:	Type:



## Temporary Power Centers with GFCI Protection

50A  
120/240 VAC

### Application

General maintenance and repair work in industrial facilities; temporary power distribution at construction sites, ship building facilities, expositions, theater, outdoor entertainment, film making, and any other location where temporary power distribution is needed.

Catalog No.	NEMA1 Enclosures RB200M, RB201M, RB202M, RB203M, RB2001M	NEMA3R Enclosures RB300M, RB301M, RB302M, RB303M, RB3001M, RB3021M
<b>Input</b>	50A, 120/240VAC, 60Hz, 3-pole, 4-wire grounding	50A, 120/240VAC, 60Hz, 3-pole, 4-wire grounding
<b>Enclosure Type</b>	NEMA 1	NEMA 3R
<b>GFCI Protection for 20A Receptacles</b>	Yes	Yes
<b>Overload Protection</b>	Yes	Yes
<b>Testing &amp; Code Compliance</b>	cETLus listed for indoor use. Complies with NEC Articles 525 & 590. Complies with OSHA Reg. 29CFR, Part 1926, Subpart K, 1926.404, GFCI requirements. Conforms to UL 1640 and CSA C22.2, No. 14.	cETLus listed for outdoor use. Complies with NEC Articles 525 & 590. Complies with OSHA Reg. 29CFR, Part 1926, Subpart K, 1926.404, GFCI requirements. Conforms to UL 1640 and CSA C22.2, No. 14.
<b>Materials:</b>		
Enclosure	Cold Rolled 18 Gauge Steel	Cold Rolled 18 Gauge Steel
Legs	Cold Rolled 10 Gauge Steel	Cold Rolled 10 Gauge Steel

Automatic GFCI reset configurations are available. When ordering automatic RhinoBox replace "M" in Catalog No. with "A".  
Example: RB300A = Automatic; RB300M = Manual.

NEMA 1 configurations are available. Replace "3" in Catalog No. with "2" for **NEMA 1** enclosure.  
Example: RB300M = NEMA3R; RB200A = NEMA1.

# Portable Outlet Boxes

Project Name:	Prepared By:
Project Number:	Date:
Catalog Number:	Type:

**Built to withstand, deliver and perform**

Arrow Hart's portable outlet boxes offer a safe, durable and efficient temporary power solution.

Rough and tough industrial grade portable outlet boxes are the bridge you need on location to provide safe power to industrial plants, building maintenance, food & beverage facilities, construction, shipyards, entertainment, filmmaking and expositions.

**1** Bonding strap ensures that device and box are bonded to the grounding conductor(s). Required in Canada per CSA C22.2 No. 18-98.

**2** Integral cover plate mounting holes reduce installation time.

**3** Innovative one-piece design incorporates integrated strain relief.

**4** Molded Alcryn® housing provides superior long-term durability, chemical-, heat-, crack-, and oil-resistance over thermoplastic and rubber devices.

**5** Heavy-duty stainless steel spring-loaded flip lids provide durable, long service life and protect receptacles when not in use.

**6** **Integrated Strain Relief System**  
 Small grommet — .27" to .40" (6.86mm to 10.16mm)  
 SJ 18/3, 16/3, 14/3; SJ 18/4, 16/4  
 Medium grommet — .36" to .50" (9.14mm to 12.70mm)  
 SJ 12/3, 14/3, 14/3; SO 18/4, 16/3, 16/4  
 Large grommet — .50" to .61" (12.70mm to 15.49mm)  
 SJ 10/3, SO 14/3, 12/3

**7** Variety of standard cover plates available for customized installations.

**8** Available in pendant or feedthrough models.

Alcryn® is a registered trademark of Advanced Polymer Alloys, a subsidiary of Ferro Corporation.

## Related Products

A wide range of wiring devices are available in many amperages that complement the portable outlet box line – straight blade receptacles, locking receptacles, plugs and more. These devices are offered in watertight, weather protective, isolated ground and corrosion resistant styles.



**Straight Blade Receptacles**  
Catalog Section G



**Locking Receptacles**  
Catalog Section N



**Plugs**  
Catalog Section H

# Portable Outlet Boxes

Project Name:	Prepared By:
Project Number:	Date:
Catalog Number:	Type:



## Portable Outlet Boxes, Cover Plates & Assemblies

Standard Depth Box, Extra Depth Box, Feed Through Box  
Portable Outlet Box Covers

### Portable Outlet Boxes, Cover Plates & Assemblies

#### FEATURES

- Innovative one-piece design incorporates integrated strain relief and cover plate mounting holes (standard depth only).
- Rugged Alcryn® and Valox® materials provide durability in industrial applications.
- Variety of standard and flip lid cover plates available for customized installations.
- Non-conductive Alcryn® material provides protection against electric shock.
- Large internal volume for ease of wiring.



WD3059



WD3099



WD3090FBK



WD3059-DDN

#### Portable Outlet Boxes

Description	Color	Catalog No.
Standard Depth	Yellow	<input type="checkbox"/> WD3059*
Extra Depth	Yellow	<input type="checkbox"/> WD3099*
Extra Depth Feed Through	Yellow	<input type="checkbox"/> WD3090F*

#### Cover Plates

Description	Diameter Opening	Color	Catalog No.
Duplex Receptacle Cover	—	Black	<input type="checkbox"/> WD3051BK
Single Receptacle Cover	1.56" (3.96mm)	Black	<input type="checkbox"/> WD3052BK
Single Receptacle Cover	1.39" (3.53mm)	Black	<input type="checkbox"/> WD3054BK
Decorator Style Cover	—	Black	<input type="checkbox"/> WD3055BK
Decorator Style Cover with Flip Lid	—	Black	<input type="checkbox"/> WD3056BK
Duplex Receptacle Cover with Flip Lid	—	Black	<input type="checkbox"/> WD3060BK
Blank Cover Plate	—	Black	<input type="checkbox"/> WD3061BK

Alcryn® is a registered trademark of Advanced Polymer Alloys, a subsidiary of Ferro Corporation.  
Valox® is a registered trademark of the GE Company.

#### Portable Outlet Box & Cover Assemblies

Outlet Box Type	Cover Plate Type	Color	Catalog No.
Standard Depth POB	(2) WD3051BK - No Flip Lids	Yellow	<input type="checkbox"/> WD3059-DDN*
Standard Depth POB	(2) WD3060BK - With Flip Lids	Yellow	<input type="checkbox"/> WD3059-DDW*
Standard Depth POB	(2) WD3054BK - No Flip Lids	Yellow	<input type="checkbox"/> WD3059-SSN*
Standard Depth POB	(2) WD3052BK - No Flip Lids	Yellow	<input type="checkbox"/> WD3059-LLN*
Extra Depth POB	(2) WD3051BK - No Flip Lids	Yellow	<input type="checkbox"/> WD3099-DDN*
Extra Depth POB	(2) WD3060BK - With Flip Lids	Yellow	<input type="checkbox"/> WD3099-DDW*
Extra Depth POB	(2) WD3054BK - No Flip Lids	Yellow	<input type="checkbox"/> WD3099-SSN*
Extra Depth POB	(2) WD3052BK - No Flip Lids	Yellow	<input type="checkbox"/> WD3099-LLN*
Extra Depth Feed Through POB	(2) WD3051BK - No Flip Lids	Yellow	<input type="checkbox"/> WD3090F-DDN*
Extra Depth Feed Through POB	(2) WD3060BK - With Flip Lids	Yellow	<input type="checkbox"/> WD3090F-DDW*
Extra Depth Feed Through POB	(2) WD3054BK - No Flip Lids	Yellow	<input type="checkbox"/> WD3090F-SSN*
Extra Depth Feed Through POB	(2) WD3052BK - No Flip Lids	Yellow	<input type="checkbox"/> WD3090F-LLN*

\*Also available in Black. For ordering, include Cat. No. followed by the color code: BK (Black).  
All Cooper Wiring Devices' Portable Outlet Boxes have compression fittings.

#### TESTING & CODE COMPLIANCE

- UL Listed to UL514C, UL467 and UL50
- Enclosures Type 1
- CSA certified to C22.2 No. 18 and C22.2 No. 94
- Enclosures Type 1 and C22.2 No. 0.4

#### MATERIAL CHARACTERISTICS

- V0 per UL94 or CSA 22.2 No. 0.6
- Environmental: Corrosion resistant, weather resistant, resistant to impact, heat, weather, oils, chemical, shock & UV
- Temperature Rating: -35°C to 80°C (-31°F to 176°F)

# Portable Outlet Boxes Specification & Performance Data

Project Name:	Prepared By:
Project Number:	Date:
Catalog Number:	Type:

## **ARROWHART**® Portable Outlet Boxes, Cover Plates & Assemblies

Standard Depth Box, Extra  
Depth Box, Feed Through Box  
Portable Outlet Box Covers

### Application

Pendant drops, extension cords and stringer sets to provide safe portable power for industrial plants, building maintenance, shipyards/marinas, entertainment/stage events, broadcasting, expositions and construction sites.

Portable Outlet Box	Boxes	Cover Plates
<b>Color</b>	Black/Yellow	Black
<b>Strain Relief Fitting</b>	Compression Fitting with gaskets to accommodate multiple cord diameters; diameter range #16/3 SO thru #12/3 SO or 0.38" thru 0.75"	N/A
<b>Testing &amp; Code Compliance</b>	UL Listed to UL514C, UL467 and UL50 enclosures Type 1; CSA certified to C22.2 No. 18 and C22.2 No. 94 enclosures Type 1 and C22.2 No. 0.4	UL Listed to UL514C, UL467 and UL50 enclosures Type 1; CSA certified to C22.2 No. 18 and C22.2 No. 94 enclosures Type 1 and C22.2 No. 0.4
<b>Materials</b>	Valox/Alcryn®	Valox®
<b>Flammability</b>	V0 per UL94 or CSA 22.2 No. 0.6	V0 per UL94 or CSA 22.2 No. 0.6
<b>Temperature</b>	-35°C to 80°C (-32°F to 176°F)	-35°C to 80°C (-32°F to 176°F)
<b>Moisture Resistance</b>	Type 1 (with standard cover plates)	N/A
<b>Environmental</b>	Corrosion Resistant, Weather Resistant, Resistant to impact, heat, weather, oils, chemical, shock & UV	Corrosion Resistant, Weather Resistant, Resistant to impact, heat, weather, oils, chemical, shock & UV

Alcryn® is a registered trademark of Advanced Polymer Alloys, a subsidiary of Ferro Corporation.  
Valox® is a registered trademark of the GE Company.

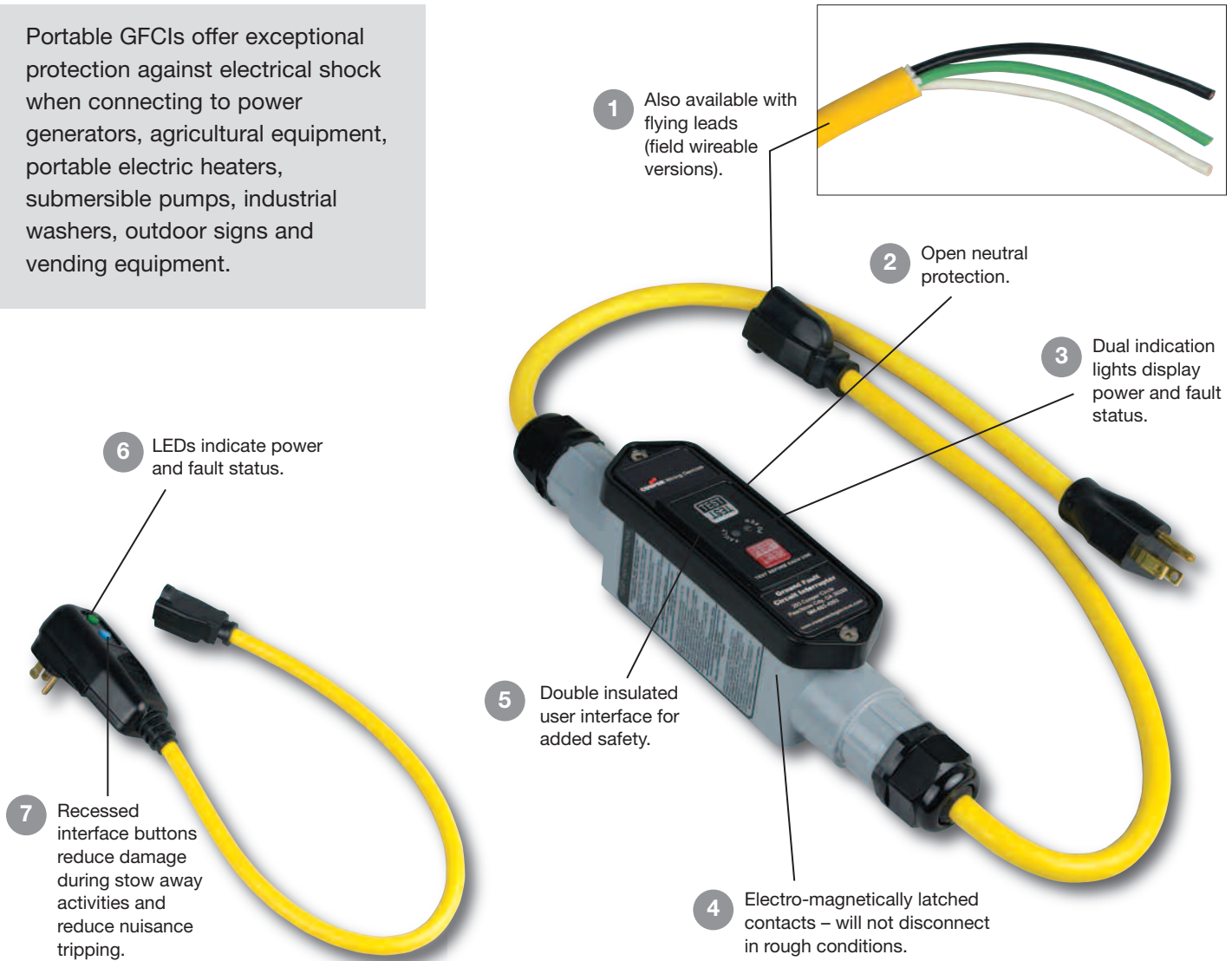
# Portable GFCIs

Project Name:	Prepared By:
Project Number:	Date:
Catalog Number:	Type:

## Portable protection from electrical injury

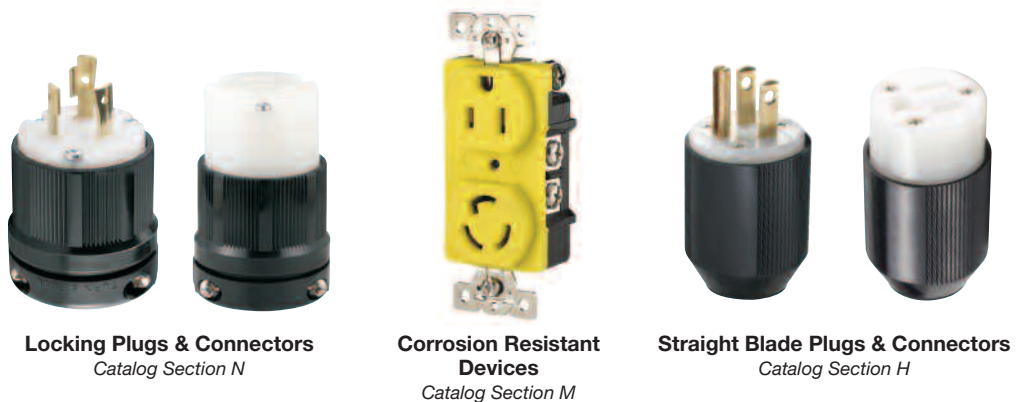
Arrow Hart's portable GFCIs give you the assurance that comes from knowing you're protected from ground fault hazards in temporary applications.

Portable GFCIs offer exceptional protection against electrical shock when connecting to power generators, agricultural equipment, portable electric heaters, submersible pumps, industrial washers, outdoor signs and vending equipment.



## Related Products

A full line of locking plugs and connectors, watertight devices and straight blade plugs & connectors provide many configuration options.



**Locking Plugs & Connectors**  
Catalog Section N

**Corrosion Resistant Devices**  
Catalog Section M

**Straight Blade Plugs & Connectors**  
Catalog Section H

# Portable GFCIs

Project Name:	Prepared By:
Project Number:	Date:
Catalog Number:	Type:

## ARROWHART® Portable GFCIs | 15A, 120 VAC

### 15A Portable GFCIs

#### FEATURES

- High-strength polycarbonate housing for durability.
- Compact body design.
- NEMA 3R rated for indoor/outdoor use.
- Field wireable versions available for attachment to existing cords or equipment supply.
- Automatic and manual GFCI reset options available.

#### 15A Plug Series - Single & Tri-Tap



Rating A	VAC	NEMA	NEMA Rating	Plug Style	Cord Length	Cord Gauge	Catalog No.
15	120	5-15	3R	Single-Tap	2' (0.61m)	12/3 AWG	<input type="checkbox"/> GFP11M1P3
				Tri-Tap	2' (0.61m)	12/3 AWG	<input type="checkbox"/> GFP11M1P9
				Single-Tap	25' (7.62m)	12/3 AWG	<input type="checkbox"/> GFP11M4P3
				Tri-Tap	25' (7.62m)	12/3 AWG	<input type="checkbox"/> GFP11M4P9

Automatic resetting GFCIs also available. When ordering automatic Portable GFCIs replace "M" in catalog number with "A". Example: GFP11A1P3 = Automatic; GFP11M1P3 = Manual.



GFP11M1P3

#### 15A Plug Series - Field Wireable



Rating A	VAC	NEMA	NEMA Rating	Plug Style	Cord Length	Cord Gauge	Catalog No.
15	120	5-15	N/A	Single-Tap	2' (0.61m)	12/3 AWG	<input type="checkbox"/> GFP11MNP

Automatic resetting GFCIs also available. When ordering automatic Portable GFCIs replace "M" in catalog number with "A". Example: GFP11ANP = Automatic; GFP11MNP = Manual.



GFP11MNP

#### 15A Inline Series - Single & Tri-Tap



Rating A	VAC	NEMA	NEMA Rating	Plug Style	Cord Length	Cord Gauge	Catalog No.
15	120	5-15	3R	Single-Tap	2' (0.61m)	12/3 AWG	<input type="checkbox"/> GF11M133
				Tri-Tap	2' (0.61m)	12/3 AWG	<input type="checkbox"/> GF11M139
				Single-Tap	6' (1.83 m)	12/3 AWG	<input type="checkbox"/> GF11M233
				Tri-Tap	6' (1.83 m)	12/3 AWG	<input type="checkbox"/> GF11M239
				Single-Tap	25' (7.62m)	12/3 AWG	<input type="checkbox"/> GF11M433
				Tri-Tap	25' (7.62m)	12/3 AWG	<input type="checkbox"/> GF11M439
				Single-Tap	50' (15.24m)	12/3 AWG	<input type="checkbox"/> GF11M633
				Tri-Tap	50' (15.24m)	12/3 AWG	<input type="checkbox"/> GF11M639

Automatic resetting GFCIs also available. When ordering automatic Portable GFCIs replace "M" in catalog number with "A". Example: GF11A133 = Automatic; GF11M133 = Manual.



GF11M133

#### 15A Inline Series - Field Wireable



Rating A	VAC	NEMA	NEMA Type	Plug Style	Cord Length	Cord Gauge	Catalog No.
15	120	5-15	3R	None	1' (0.3m)	12/3 AWG	<input type="checkbox"/> GF11MN3

Automatic resetting GFCIs also available. When ordering automatic Portable GFCIs replace "M" in catalog number with "A". Example: GF11AN3 = Automatic; GF11MN3 = Manual.

GF11MN3

#### TESTING & CODE COMPLIANCE

- UL 943 & CSA C22.2 No. 144
- OSHA 29 CFR 1926.404 (b)(1)(ii) & OSHA 29 CFR 1926.405 (a)(2)(ii)(G)
- NEC 590.6, NEC 511.12, NEC 600.10, NEC 680.5  
NEC 680.40

#### MATERIAL CHARACTERISTICS

- Polycarbonate body
- Temperature Rating: -35°C to 66° (C-31°F to 151°F)

# Portable GFCIs

Project Name:	Prepared By:
Project Number:	Date:
Catalog Number:	Type:

## ARROW/HART® Portable GFCIs

20A, 120 VAC, 20A, 208 VAC  
20A, 240 VAC, 20A, 277 VAC

### 20A Portable GFCIs

#### FEATURES

- Housing is high-strength polycarbonate for durability.
- Compact body design.
- NEMA 4X wet location rated for indoor/outdoor use.
- Field wireable versions available for attachment to existing cords or equipment supply.
- Automatic and manual GFCI reset options available.



GFI12M1NN



GFI12M133

#### 20A Inline Series - Field Wireable



Rating A	VAC	NEMA	NEMA Type	Plug Style	Cord Length	Cord Gauge	Catalog No.
20	120	N/A	4X	Flying leads	2' (0.61m)	12/3 AWG	<input type="checkbox"/> GFI12M1NN
	240	N/A	4X	Flying leads	2' (0.61m)	12/3 AWG	<input type="checkbox"/> GFI22M1NN
	208	N/A	4X	Flying leads	2' (0.61m)	12/3 AWG	<input type="checkbox"/> GFI92M1NN
	277	N/A	4X	Flying leads	2' (0.61m)	12/3 AWG	<input type="checkbox"/> GFID2M1NN
120	N/A	4X	4X	Flying leads	6' (1.83m)	12/3 AWG	<input type="checkbox"/> GFI12M2NN
	N/A	4X	4X	Flying leads	6' (1.83m)	12/3 AWG	<input type="checkbox"/> GFI22M2NN
120	N/A	4X	4X	Flying leads	25' (7.62m)	12/3 AWG	<input type="checkbox"/> GFI12M4NN
	N/A	4X	4X	Flying leads	25' (7.62m)	12/3 AWG	<input type="checkbox"/> GFI22M4NN
120	N/A	4X	4X	Flying leads	50' (15.24m)	12/3 AWG	<input type="checkbox"/> GFI12M6NN
	N/A	4X	4X	Flying leads	50' (15.24m)	12/3 AWG	<input type="checkbox"/> GFI22M6NN

Automatic resetting GFCIs also available. When ordering automatic Portable GFCIs replace "M" in catalog number with "A". Example: GFI12A1NN = Automatic; GFI12M1NN = Manual.

#### 20A Inline Series - Molded Plug & Connector



Rating A	VAC	NEMA	NEMA Type	Plug Style	Cord Length	Cord Gauge	Catalog No.
20	120	5-20	4X	Molded	2' (0.61m)	12/3 AWG	<input type="checkbox"/> GFI12M133
	120	L5-20	4X	Molded locking	2' (0.61m)	12/3 AWG	<input type="checkbox"/> GFI12M144
	240	L6-20	4X	Molded locking	2' (0.61m)	12/3 AWG	<input type="checkbox"/> GFI22M144

Automatic resetting GFCIs also available. When ordering automatic Portable GFCIs replace "M" in catalog number with "A". Example: GFI12A133 = Automatic; GFI12M133 = Manual.

#### TESTING & CODE COMPLIANCE

- UL 943 & cULus 943 Listed
- OSHA 29 CFR 1926.404 (b)(1)(ii) & OSHA 29 CFR 1926.405 (a)(2)(ii)(G)
- NEC 590.6, NEC 511.12, NEC 600.10, NEC 680.5 NEC 680.40

#### MATERIAL CHARACTERISTICS

- Polycarbonate body
- Temperature Rating: -35°C to 66°C (-31°F to 151°F)

# Portable GFCIs

Project Name:	Prepared By:
Project Number:	Date:
Catalog Number:	Type:

## ARROW/HART® Portable GFCIs

30A, 120 VAC, 30A, 208 VAC  
30A, 240 VAC, 30A, 277 VAC

### 30A Portable GFCIs

#### FEATURES

- Housing is high-strength polycarbonate for durability.
- Compact body design.
- NEMA 4X wet location rated for indoor/outdoor use.
- Field wireable versions available for attachment to existing cords or equipment supply.
- Automatic and manual GFCI reset options available.

#### 30A Inline Series - Field Wireable, 1 Phase



Rating A	VAC	NEMA	NEMA Type	Plug Style	Cord Length	Cord Gauge	Catalog No.
30	120	N/A	4X	Flying leads	2' (0.61m)	10/3 AWG	<input type="checkbox"/> GF113M1NN
	240	N/A	4X	Flying leads	2' (0.61m)	10/3 AWG	<input type="checkbox"/> GF123M1NN
	208	N/A	4X	Flying leads	2' (0.61m)	10/3 AWG	<input type="checkbox"/> GF193M1NN
	277	N/A	4X	Flying leads	2' (0.61m)	10/3 AWG	<input type="checkbox"/> GF1D3M1NN
	120	N/A	4X	Flying leads	6' (1.83m)	10/3 AWG	<input type="checkbox"/> GF113M2NN
	240	N/A	4X	Flying leads	6' (1.83m)	10/3 AWG	<input type="checkbox"/> GF123M2NN
	120	N/A	4X	Flying leads	25' (7.62m)	10/3 AWG	<input type="checkbox"/> GF113M4NN
	240	N/A	4X	Flying leads	25' (7.62m)	10/3 AWG	<input type="checkbox"/> GF123M4NN
	120	N/A	4X	Flying leads	50' (15.24m)	10/3 AWG	<input type="checkbox"/> GF113M6NN
	240	N/A	4X	Flying leads	50' (15.24m)	10/3 AWG	<input type="checkbox"/> GF123M6NN
	120	N/A	4X	Flying leads	100' (30.48m)	10/3 AWG	<input type="checkbox"/> GF113M7NN
	240	N/A	4X	Flying leads	100' (30.48m)	10/3 AWG	<input type="checkbox"/> GF123M7NN



GF113M1NN

Automatic resetting GFCIs also available. When ordering automatic Portable GFCIs replace "M" in catalog number with "A".  
Example: GF113A1NN = Automatic; GF113M1NN = Manual.

#### 30A Inline Series - Molded Locking Plug & Connector



Rating A	VAC	NEMA	NEMA Type	Plug Style	Cord Length	Cord Gauge	Catalog No.
30	120	L5-30	4X, 6P	Molded locking	2' (0.61m)	10/3 AWG	<input type="checkbox"/> GF113M144
	240	L6-30	4X, 6P	Molded locking	2' (0.61m)	10/3 AWG	<input type="checkbox"/> GF123M144



GF113M144

Automatic resetting GFCIs also available. When ordering automatic Portable GFCIs replace "M" in catalog number with "A".  
Example: GF113A144 = Automatic; GF113M144 = Manual.

#### TESTING & CODE COMPLIANCE

- UL 943 & CSA C22.2 No. 144
- cULus (277VAC non-UL)
- OSHA 29 CFR 1926.404 (b)(1)(ii) & OSHA 29 CFR 1926.405 (a)(2)(ii)(G)
- NEC 590.6, NEC 511.12, NEC 600.10, NEC 680.5  
NEC 680.40

#### MATERIAL CHARACTERISTICS

- Polycarbonate body
- Temperature Rating: -35°C to 66°C (-31°F to 151°F)

# Portable GFCIs

Project Name:	Prepared By:
Project Number:	Date:
Catalog Number:	Type:



## Watertight Portable GFCIs

15A, 120V,  
20A, 120V, 20A, 240V,  
30A, 120V, 30A, 240V

### Watertight Portable GFCIs

#### FEATURES

- Housing is high-strength polycarbonate for durability.
- Compact body design.
- Field wireable versions available for attachment to existing cords or equipment supply.
- Automatic and manual GFCI reset options available.



GF112M155

#### 15A, 20A and 30A Inline Series - Watertight Plug and Connector



Rating A	VAC	NEMA	NEMA Rating	Cord Length	Cord Gauge	Catalog No.
15	120	5-15	3R	2' (0.61m)	12/3 AWG	<input type="checkbox"/> GF111M155
		5-15	3R	6' (1.83m)	12/3 AWG	<input type="checkbox"/> GF111M255
		5-15	3R	25' (7.62m)	12/3 AWG	<input type="checkbox"/> GF111M455
		5-15	3R	50' (15.24m)	12/3 AWG	<input type="checkbox"/> GF111M655
20	120	5-20	4X	2' (0.61m)	12/3 AWG	<input type="checkbox"/> GF112M155
		5-20	4X	6' (1.83m)	12/3 AWG	<input type="checkbox"/> GF112M255
		5-20	4X	25' (7.62m)	12/3 AWG	<input type="checkbox"/> GF112M455
		L5-20	4X	2' (0.61m)	12/3 AWG	<input type="checkbox"/> GF112M166
		L5-20	4X	6' (1.83m)	12/3 AWG	<input type="checkbox"/> GF112M266
		L5-20	4X	25' (7.62m)	12/3 AWG	<input type="checkbox"/> GF112M466
20	240	L6-20	4X	2' (0.61m)	12/3 AWG	<input type="checkbox"/> GF122M166
		L6-20	4X	6' (1.83m)	12/3 AWG	<input type="checkbox"/> GF122M266
		L6-20	4X	25' (7.62m)	12/3 AWG	<input type="checkbox"/> GF122M466
30	120	L5-30	4X	2' (0.61m)	12/3 AWG	<input type="checkbox"/> GF113M166
		L5-30	4X	6' (1.83m)	12/3 AWG	<input type="checkbox"/> GF113M266
		L5-30	4X	25' (7.62m)	12/3 AWG	<input type="checkbox"/> GF113M466
30	240	L6-30	4X	2' (0.61m)	12/3 AWG	<input type="checkbox"/> GF123M166
		L6-30	4X	6' (1.83m)	12/3 AWG	<input type="checkbox"/> GF123M266
		L6-30	4X	25' (7.62m)	12/3 AWG	<input type="checkbox"/> GF123M466

Automatic resetting GFCIs also available. When ordering automatic Portable GFCIs replace "M" in catalog number with "A". Example: GF111A155= Automatic; GF111M155 = Manual.

#### TESTING & CODE COMPLIANCE

- cULus 943 listed
- OSHA 29 CFR 1926.404 (b)(1)(ii) & OSHA 29 CFR 1926.405 (a)(2)(ii)(G)
- NEC 590.6, NEC 511.12, NEC 600.10, NEC 680.5, NEC 680.40

#### MATERIAL CHARACTERISTICS

- Polycarbonate body
- Temperature Rating: -35°C to 66°C (-31°F to 151°F)

# Portable GFCIs Specification & Performance Data

Project Name:	Prepared By:
Project Number:	Date:
Catalog Number:	Type:

## **ARROW/HART**® Portable GFCIs

2-Pole, 3-Wire Grounding  
 15A, 120VAC, 20A, 120VAC  
 20A, 208VAC, 20A, 240VAC, 20A, 277VAC  
 30A, 120VAC, 30A, 208VAC, 30A, 240VAC, 30A, 277VAC

### Application

Wet locations, power generators, agricultural equipment, portable electric heaters, submersible pumps, pipeline heaters, automotive garages, industrial part washers, cement cutting equipment, outdoor signage, vending equipment and anywhere else a portable GFCI-protected circuit is needed.

Description	15A Portable GFCIs	15A Inline Portable GFCIs	20A Inline Portable GFCIs	30A Inline Portable GFCIs
<b>Rated Supply Voltage</b>	120VAC	120VAC	120VAC, 208VAC, 240VAC, 277VAC	120VAC, 208VAC, 240VAC, 277VAC
<b>Rated Current / Current</b>	Up to 15A or rating of wiring device and/or cable	Up to 15A or rating of wiring device and/or cable	Up to 20A or device rating	Up to 30A or device rating
<b>Reset Type</b>	Manual or Automatic	Manual or Automatic	Manual or Automatic	Manual or Automatic
<b>Operating Frequency</b>	60 Hz	60 Hz	60 Hz	60 Hz
<b>Type</b>	Class A	Class A	Class A	Class A
<b>Ground Trip Current</b>	4-6 mA	4-6 mA	4-6 mA	4-6 mA
<b>Overload Current</b>	90A @ 125 VAC	90A @ 125 VAC		
<b>Insulation Voltage</b>	1,500 VRMS - 1 Minute	1,500 VRMS - 1 Minute		
<b>Endurance Operations</b>	3,000 operations	3,000 operations		
<b>Enclosure</b>	NEMA 3R rated	NEMA 3R rated	NEMA 4X wet location rated	NEMA 4X wet location rated
<b>Switch Interference</b>			Double Insulated	Double Insulated
<b>Latching Mechanism</b>			Electro-Magnetic	Electro-Magnetic
<b>Testing &amp; Code Compliance</b>	UL 943 & CSA C22.2 No. 144 OSHA 29 CFR 1926.404 (b)(1)(ii) & OSHA 29 CFR 1926.405 (a)(2)(ii)(G) NEC 590.6 NEC 511.12 NEC 600.10 NEC 680.5 NEC 680.40	UL 943 & CSA C22.2 No. 144 OSHA 29 CFR 1926.404 (b)(1)(ii) & OSHA 29 CFR 1926.405 (a)(2)(ii)(G) NEC 590.6 NEC 511.12 NEC 600.10 NEC 680.5 NEC 680.40	UL cUL 943 listed OSHA 29 CFR 1926.404 (b)(1)(ii) & OSHA 29 CFR 1926.405 (a)(2)(ii)(G) NEC 590.6 NEC 511.12 NEC 600.10 NEC 680.5 NEC 680.40	UL 943 & CSA C22.2 No. 144 cULus (277 VAC non UL) OSHA 29 CFR 1926.404 (b)(1)(ii) & OSHA 29 CFR 1926.405 (a)(2)(ii)(G) NEC 590.6 NEC 511.12 NEC 600.10 NEC 680.5 NEC 680.40

**Cooper Wiring Devices**

United States  
203 Cooper Circle  
Peachtree City, GA 30269  
P: 866-853-4293  
F: 800-329-3055

[www.cooperwiringdevices.com](http://www.cooperwiringdevices.com)  
email: [custserv@cooperwiringdevices.com](mailto:custserv@cooperwiringdevices.com) • [cwdmarketing@cooperindustries.com](mailto:cwdmarketing@cooperindustries.com)

Cooper Wiring Devices, Arrow Hart, and Pro-Grip are valuable trademarks of Cooper Industries in the U.S. and other countries. You are not permitted to use the Cooper Trademarks without the prior written consent of Cooper Industries.  
©2009 Cooper Industries, Ltd.

Canada  
5925 McLaughlin Road  
Mississauga, Ontario, L5R 1B8  
P: 800-267-1042  
F: 800-761-5748

Mexico  
Carr. Tlalnepantla – Cuautitlan  
Km 17.8 s/n  
Col. Villa Jardin esp.  
Cerrada 8 de Mayo  
Cuautitlan, Mexico CP 54800  
P: 52-55-5899-9190  
F: 52-55-2620-7116

**Your Authorized Cooper Wiring Devices Distributor is:**

Cooper Industries, Ltd.  
600 Travis, Ste. 5600  
Houston, TX 77002-1001  
P: 713-209-8400  
[www.cooperindustries.com](http://www.cooperindustries.com)